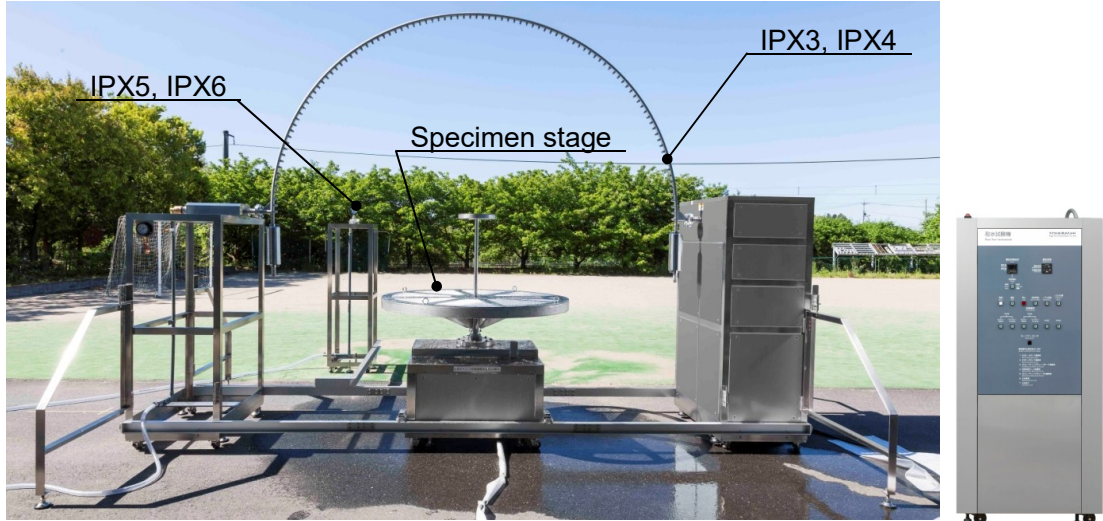


## Rain Test Instrument RA-Z

Determination of the degree of protection against the intrusion of water



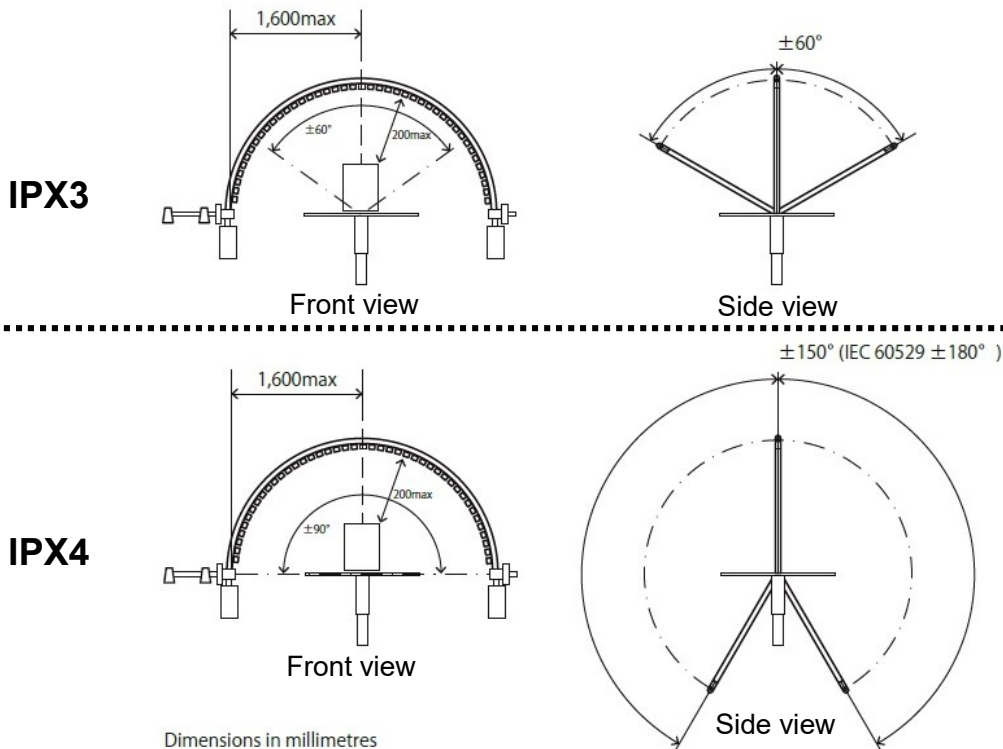
Control unit

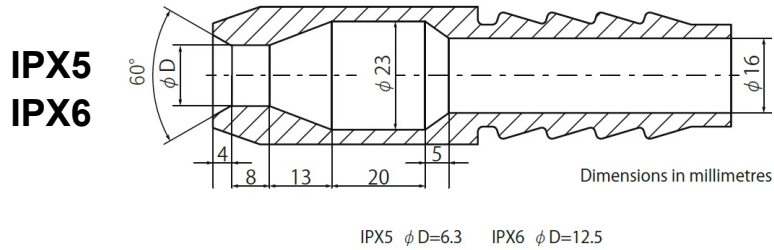
### ■ Overview

This apparatus is used for determination of the degree of protection against the intrusion of water specified in IEC 60529 (JIS C 0920), ISO 20653 and DIN 40050, such as IPX3, 4, 5 and 6.

The allowable size of the apparatus which corresponds to a specimen is per request.

### ■ Test Method





## Rain Test Instrument RA-2Z



This instrument is capable of conducting following tests;

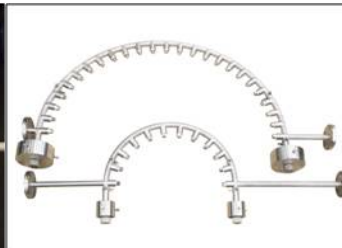
- IPX1, IPX2, IPX3, IPX4
- JIS D 0203 S1, S2, R1, R2
- SAE J525



IPX1, IPX2



IPX3, IPX4



Oscillating arc tube



JIS D 0203 S1, S2



JIS D 0203 R1, R2



SAE J525

IEC stands for "International Electrotechnical Commission".  
JIS stands for "Japanese Industrial Standards".  
DIN stands for "Deutsches Institut für Normung".  
SAE stands for "Society of Automotive Engineers".